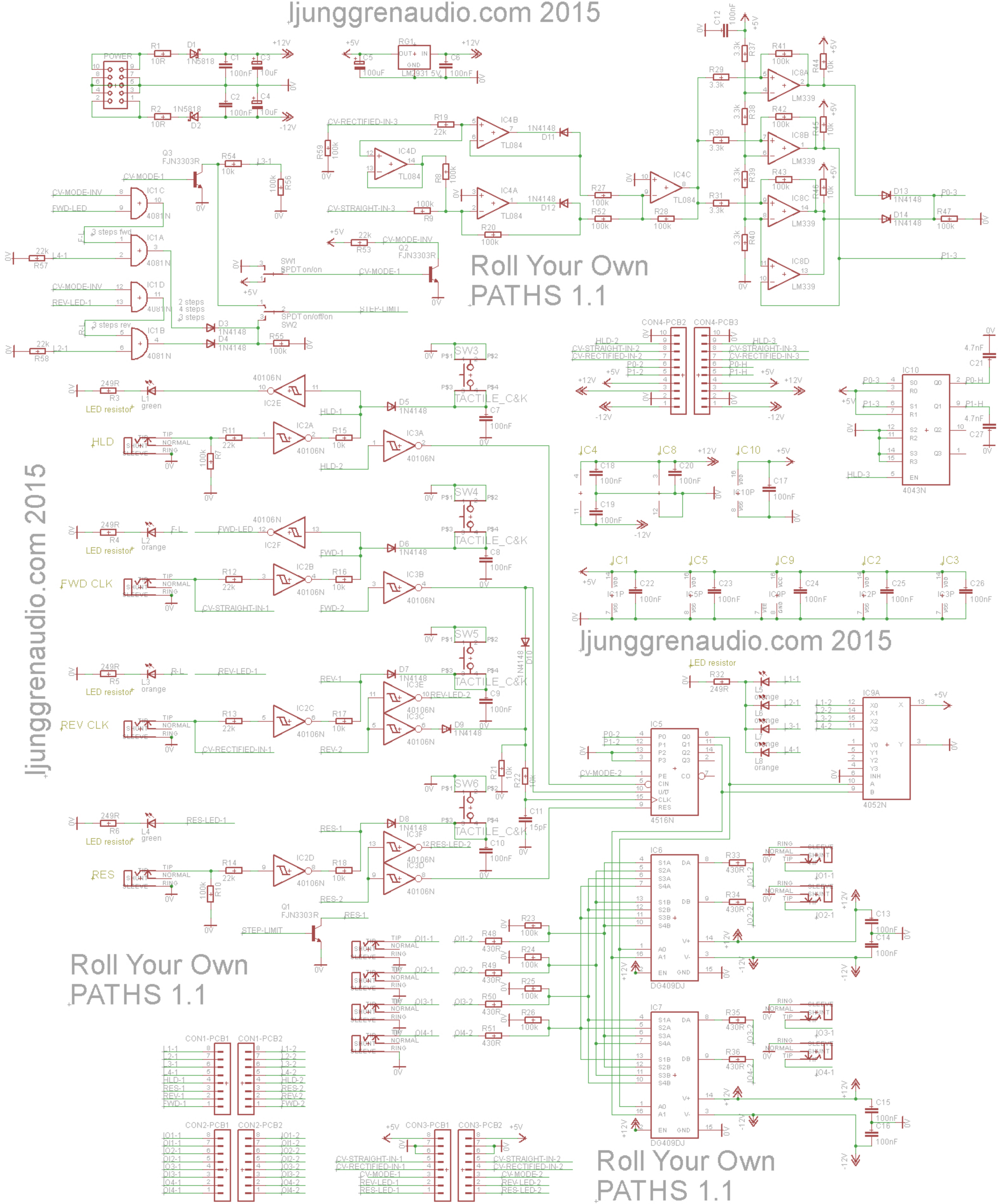


Roll Your Own PATHS 1.1

Roll Your Own PATHS 1.1

ljunggrenaudio.com 2015



CON1-PCB1	CON1-PCB2
1-1	8
2-1	7
3-1	6
4-1	5
HLD-1	4
RES-1	3
REV-1	2
FWD-1	1

CON2-PCB1	CON2-PCB2
101-1	8
101-2	7
102-1	6
102-2	5
103-1	4
103-2	3
104-1	2
104-2	1

CON3-PCB1	CON3-PCB2
1	8
2	7
3	6
4	5
CV-STRAIGHT-IN-1	4
CV-RECTIFIED-IN-1	3
CV-MODE-1	2
REV-LED-1	1

CON4-PCB2	CON4-PCB3
1	10
2	9
3	8
4	7
5	6
6	5
7	4
8	3
9	2
10	1